

IWAKI Magnetic Drive Pump

MD-R (M) type

Instruction Manual

 Read this manual before use of product

Thank you for selecting an Iwaki MD-R type Magnetic Drive Pump. This instruction manual deals with "Safety Instructions", "Outline", "Installation", "Operation" and "Maintenance" sections.

Please read through this instruction manual to ensure the optimum performance, safety and service of your pump.

Contents

Safety Instructions	1
<i>Outline</i>	
1. Unpacking & Inspection	3
2. Operating principle	3
3. Identification code	4
4. Specification	5
5. Outer dimensions	6
6. Performance curves	9
7. Overview & Label	11
8. Part names & Structure	12
<i>Installation</i>	
1. Before installation	13
2. Installation/Piping/Electrical wiring	16
<i>Operation</i>	
1. Before operation	22
<i>Maintenance</i>	
1. Troubleshooting	24
2. Maintenance & Inspection	24



This instruction manual should be kept on hand by the end user for quick reference.

Contact us or your nearest dealer if you have any questions.



Important Instruction

For the Safe and Correct Handling of the Pump

- "Safety Instruction" section deals with important details about handling of the product. Before use, read this section carefully for the prevention of personnel injury or property damage.
- Observe the instructions accompanied with "WARNING" or "CAUTION" in this manual. These instructions are very important for protecting pump users from dangerous situations.
- The symbols on this instruction manual have the following meanings:

 WARNING	Nonobservance or misapplication of the contents of "Warning" section could lead to a serious accident which may result in death.
 CAUTION	Nonobservance or misapplication of the contents of "Caution" section could lead to a personal injury or damage to the product.

Types of Symbols

	Indicates a prohibited action or procedure. Inside or near this circle, a concrete and practical image of the activity to be avoided is depicted.
	Indicates an important action or procedure which must be performed or carried out without fail. Failure to follow the instructions herein can lead to malfunction or damage to the pump.

For exportation

Technology related to the use of goods in this instruction manual falls in the category of technology contained in the Foreign Exchange Order Attachment, which includes complementary export control of technology. Please be reminded that export license, which is issued by the Ministry of Economy, Trade, and Industry could be required, when this is exported or provided to someone even in Japan.

Safety Instructions

WARNING

- **Turn off the power.**

Risk of electrical shock. Dismantling/assembling the pump unit without turning off the power may cause an electrical shock. Before engaging in any maintenance or inspection work, be sure to turn off the pump and related devices.



Power off

- **Terminate operation.**

On sensing any abnormality, stop operation immediately and inspect/solve problems.



- **For specified application only**

The use of the pump in any application other than those clearly specified may result in injury or damage. Use the pump in a specified condition.



Prohibited

- **No dismantlement/modification**

Do not dismantle/modify the pump. We are not responsible for any accidents or damage due to modification.



No modification
No dismantlement

- **Wear protective clothing.**

Always wear protective clothing such as safety goggles and protective gloves during pipework or dismantlement.



Wear protectors

CAUTION

- **Restriction on operator**

The pump should be handled by a qualified person with a full understanding.



Prohibited

- **Specified power only**

Do not apply any power other than the specified one on the nameplate. Otherwise damage or fire may result.



Prohibited

- **Do not wet the pump.**

If a liquid spills over electric parts or wires, a fire or electrical shock may result. Install the pump in a place free from liquid spillage.



Prohibited

- **Ventilation**

Poisoning may result when handling a toxic or odorous liquid. Keep good ventilation in a work area.



Caution

- **Countermeasure against efflux**

Take a protective measure against the accidental efflux caused by pump or pipe breakage.



Caution

- **Damaged pumps**

Do not use any damaged pump. Using a damaged pump may lead to an electric leak or shock.



Prohibited

Safety Instructions

CAUTION

- **Do not place the pump close to water.**

The pump is not dust-/water-proof construction. The use of the pump in a humid place or a place where the pump can get wet may result in an electrical shock or short-circuit.



Prohibited

- **Do not run pump dry.**

If the pump runs without a liquid, the pump is damaged by friction heat.



Prohibited

- **Do not damage the power cable.**

Risk of fire or electrical shock. Do not scratch, modify, or pull the power cable. The cable can also be damaged when it is heated or loaded with a heavy thing.



Caution

- **Earthing**

Risk of electrical shock. Always earth the pump.



Earthing

- **Do not pressurize the pump over the maximum discharge pressure.**

A leak may result from the sealing surface of O ring, or the pump fails at worst.



Prohibited

- **Install an earth leakage breaker.**

An electrical failure of the pump may adversely affect related devices. Purchase and install an earth leakage breaker separately.



Electrical shock

CAUTION

- **Power cable is not replaceable.**

Do not use any damaged power cable for the prevention of a fire or electrical shock. The cable is not replaceable, so that the whole pump unit needs to be replaced when the cable is damaged.



Electrical shock

- **Limited operating site and storage**

Do not install or store the pump in the following places where...

1. Ambient temperature exceeds 40°C or falls below 0°C.
2. Under a flammable/corrosive atmosphere.
3. Under direct sunlight or rainwater



Prohibited

- **Disposal of the used pump**

Dispose of any used or damaged pump in accordance with relevant regulations. Consult a licensed industrial waste products disposing company.



- **Static electricity**

When low electric conductivity liquids such as ultra-pure water and fluor inactive liquid (e.g. Fluorinert™) are handled, the static electricity may generate in the pump and may cause static discharge. Take countermeasures to remove the static electricity.



- **Fasten the front casing tight**

Liquid may leak if front casing fixing screws are loose. Tighten the screws before initial operation or at intervals.



Caution

Outline

Before use, check the specification, limitation and hazardous nature of the pump.

1. Unpacking & Inspection

On unpacking the product, check the following points. If you find any problems, contact your nearest distributor.

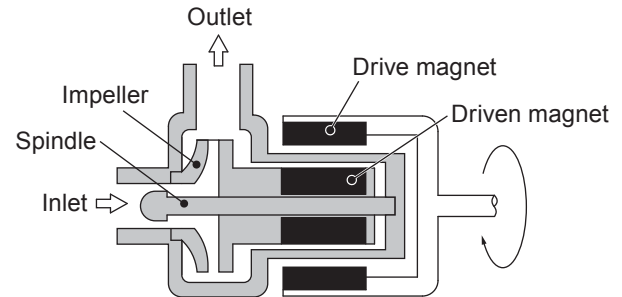
1. Check the information on the nameplate such as model, discharge capacity, discharge head and voltage to see that the product is delivered as per order.

Iwaki Magnet Pump 	
MODEL	
MAX. CAPACITY	ℓ / min
MAX. HEAD	m
SINGLE PHASE (1Φ) INDUCTION MOTOR CAPACITOR - RUN	
POLES	SPEED rpm
VOLTAGE V	RATING CONT.
FREQUENCY Hz	CAPACITOR μF
CURRENT A	INSULATION CLASS E
OUTPUT W	THERMALLY PROTECTED
POWER CONSUMPTION W	INDOOR USE ONLY
	Year
⚠ DO NOT RUN PUMP DRY	
MFG.No.	
IWAKI CO., LTD. MADE IN JAPAN	
6-6, Kanda-Sudacho 2-chome Chiyoda-ku Tokyo, Japan	

2. Check for transit damage, deformation, and loose bolts.

2. Operating principle

The MD-R is a magnetic drive centrifugal pump. The magnetic force of the motor drives the impeller magnet and rotates the impeller in the pump chamber, where a liquid is transferred from the inlet to outlet.



Outline

3. Identification code

MD-15R/ -20R/ -30R/ -40R

MD - 15 R Z - 5 M - 220 E N 01
 a b a c d e f g h

- a. Series model MD-R
- b. Pump size (motor output)
 15(10W)/ 20(20W)/ 30(45W)/ 40(65W)
- c. Delivery head No code: Standard
 Z: High head
 X: High flow
- d. Frequency No code: 50/60Hz
 -5: 50Hz only
- e. Connection No code: Tube
 M: G thread
- f. Power voltage 220: 220-240 single phase
- g. O ring No code: FKM
 E: EPDM
- h. Special version No code: Standard
 01-99: Special design

MD-55R/ -70R/ -100R

MD - 70 R Z - 5 M - 01
 a b a c d e f

- a. Series model MD-R
- b. Pump size (motor output)
 55 (90W)/ 70 (150/180W, 180/216W)/
 100 (265W)
- c. Delivery head No code: Standard
 Z: High head
- d. Frequency No code: 50/60Hz
 -5: 50Hz only
- e. Connection No code: Tube
 M: G thread
 M-FL: Flange
- f. Special version No code: Standard
 01-99: Special design

NOTE: The MD-55R/ -70R/ -100R do not show a power voltage code. See a spec label and check power voltage range.

Outline

4. Specification

50/60Hz

Model	Hose bore (mm)	Inlet/Outlet bore	Union	Max flow (L/min)	Max head (m)	Max SG	Motor		Mass (kg)
							Power (V)	Rated output (W)	
MD-15R	14	G3/4	13	16/19	2.4/3.4	1.3	220/240 (1ph)	10	1.6
MD-20R	18	G3/4	16	27/31	3.1/4.3	1.1		20	2.0
MD-20RX	26	G1	20	46/52	1.8/2.5	1.3		45	4.0
MD-20RZ	18	G3/4	13	10/11	4.9/6.9	1.1			
MD-30R	20	G3/4	16	32/38	3.8/5.4	1.3		65	3.9
MD-30RX	26	G1	20	62/72	2.9/4.1	1.1			
MD-30RZ	18	G3/4	13	15/17	8/11	1.0		90	5.4
MD-40R	20	G3/4	16	45/52	4.6/6.5	1.1			
MD-40RX	26	G1	20	75/85	3.3/4.7	1.1		150/180	6.0
MD-40RZ	20	G3/4	16	22/22	10/13.5	1.0			
MD-40RZ-5	20	G3/4	16	11/-	11.5/-	1.0		180/216	6.0
MD-55R	26	G1	20	60/70	5.6/8.2	1.2			
MD-55R-5	26	G1	20	70/-	8.2/-	1.2		260/265	8.5
MD-70R	26	G1	20	86/97	6.7/9.7	1.0			
MD-70RZ	20	G3/4	16	40/43	14.3/20.3	1.0	220/240 (1ph) 220/380 (3ph)	150/180	6.0
MD-100R	26	G1	20	120/135	8.6/11.9	1.2	400/440 (3ph)	180/216	6.0
MD-100R-5	26	G1	20	135/-	11.7/-	1.1	260/265	260/265	8.5

NOTE:

- Performance data is based on pumping of clear water at ambient temperature.
- The maximum flow is obtained at zero discharge head, and the maximum head is obtained at the maximum pressure.
- The maximum viscosity at SG.1.0 is up to 30mPa•s for the MD-15R/-20R/-30R/-40R/-55R/-70R, up to 6mP•s for the MD-100R(M), and up to 4mP•s for the MD-100R-5(M).

d. Allowable ambient temperature range is 0-40°C.

e. Allowable liquid temperature range is 0-80°C.

*Note that the liquid temperature range is based on pumping clean water and it changes with liquid property and operating conditions. Frozen liquid can not be transferred.

f. The maximum specific gravity is obtained at or near the maximum flow. Note that the limitation varies with a duty point, ambient temperature or liquid viscosity.

g. Motor type

MD-40RZ-5(M), MD-55R-5(M), MD-100R-5(M) is designed for operation at 50Hz only.

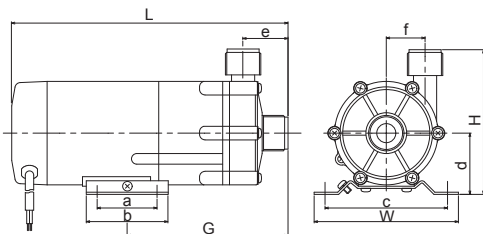
h. All the single-phase motors used for the MD-R series are capacitor-run induction motor.

*Performance and dimensions may change without notice.

Outline

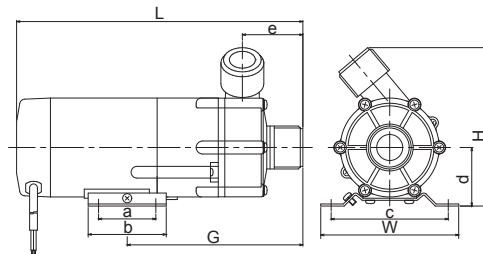
5. Outer dimensions

MD-15RM/-20RM/-30RM/-40RM



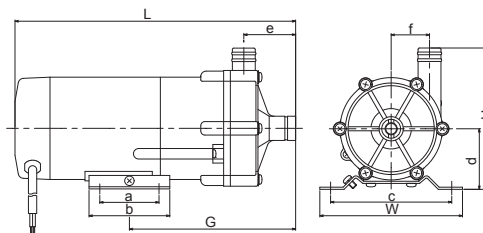
Model	W	H	L	a	b	c	d	e	f	G
MD-15RM	95	114	179	-	50	68	55	39	21.5	117
MD-20RM	85	116	203	30	50	68	55	33	28.5	126
MD-30RM	120	130	248	40	64	100	60	48	31	169
MD-40RM	120	130	250	40	64	100	60	48	31	169

MD-20RXM/-30RXM/-40RXM



Model	W	H	L	a	b	c	d	e	G
MD-20RXM	85	132	220	30	50	68	55	46.5	143
MD-30RXM	120	140	254	40	64	100	60	50	175
MD-40RXM	120	141	256	40	64	100	60	50	175

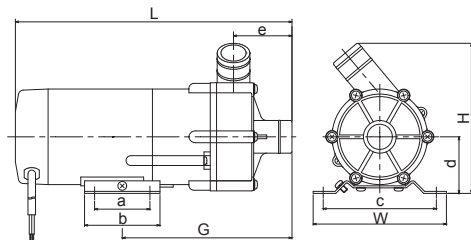
MD-15R/-20R/-30R/-40R



Model	W	H	L	a	b	c	d	e	f	G
MD-15R	95	109	179.5	-	50	68	55	39	21.5	117
MD-20R	85	115	208.5	30	50	68	55	38.5	28.5	131.5
MD-30R	120	130	248	40	64	100	60	48	31	169
MD-40R	120	130	250	40	64	100	60	48	31	169

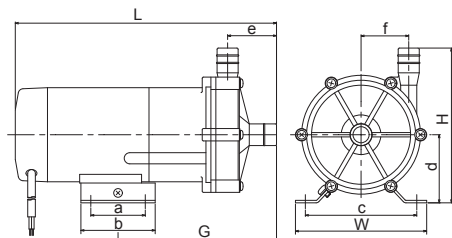
Outline

MD-20RX/-30RX/-40RX



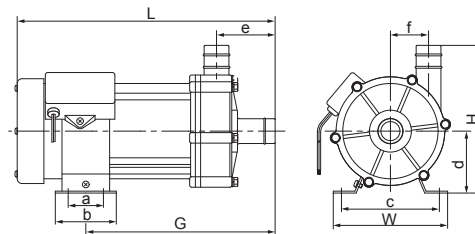
Model	W	H	L	a	b	c	d	e	G
MD-20RX	85	132	220	30	50	68	55	46.5	143
MD-30RX	120	137	254	40	64	100	60	50	175
MD-40RX	120	137	256	40	64	100	60	50	175

MD-20RZ/-30RZ/-40RZ/-40RZ-5



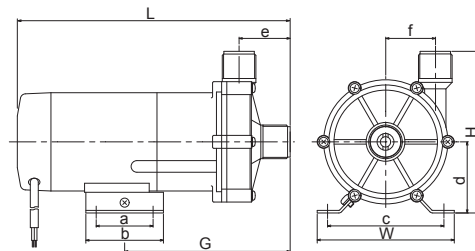
Model	W	H	L	a	b	c	d	e	f	G
MD-20RZ	85	125	211	30	50	68	55	39.5	38.5	134
MD-30RZ	120	130	230	40	64	100	60	39.5	38.5	152
MD-40RZ	120	150	241	40	64	100	60	38.5	44.5	160
MD-40RZ-5	120	150	241	40	64	100	60	38.5	44.5	160

MD-55R/-55R-5



Model	W	H	L	a	b	c	d	e	f	G
MD-55R	120	155	273.5	40	64	100	65	61.5	40	198.5
MD-55R-5										

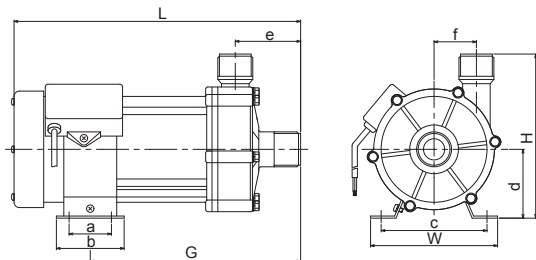
MD-20RZM/-30RZM/-40RZM/-40RZ-5M



Model	W	H	L	a	b	c	d	e	f	G
MD-20RZM	85	125	211	30	50	68	55	39.5	38.5	134
MD-30RZM	120	130	230	40	64	100	60	39.5	38.5	152
MD-40RZM	120	150	241	40	64	100	60	38.5	44.5	160
MD-40RZ-5M	120	150	241	40	64	100	60	38.5	44.5	160

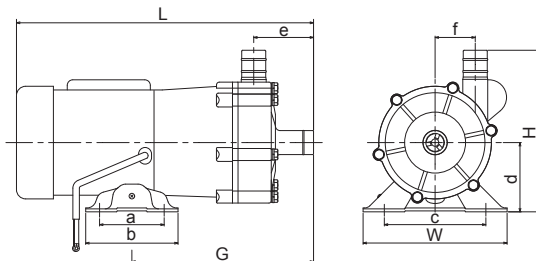
Outline

MD-55RM/-55R-5M



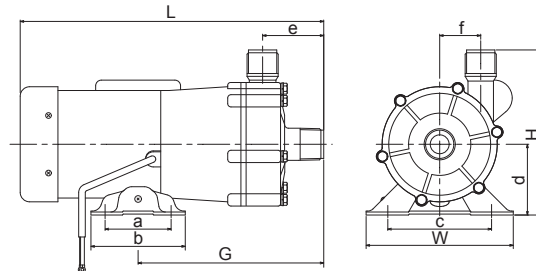
Model	W	H	L	a	b	c	d	e	f	G
MD-55RM	120	155	273.5	40	64	100	65	61.5	40	198.5
MD-55R-5M										

MD-70R/-70RZ/-100R/-100R-5



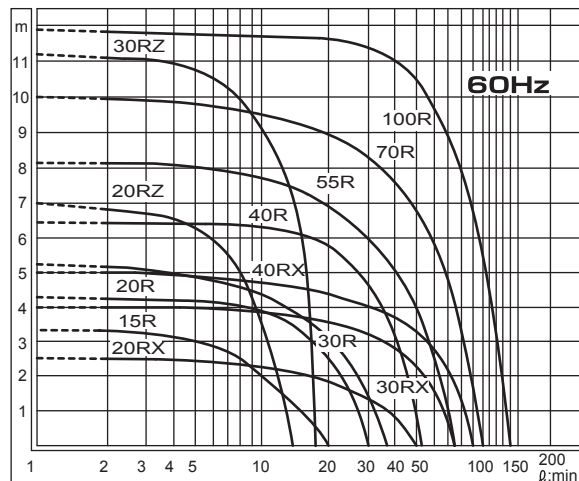
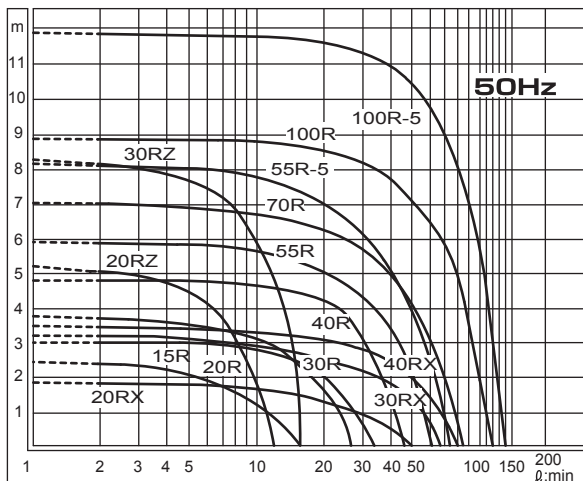
Model	W	H	L	a	b	c	d	e	f	G
MD-70R	130	155	258	40	60	110	65	53	43	179
MD-70RZ		165	247					42	47.5	168
MD-100R	156	175	322	70	100	110	75	65	43.5	197
MD-100R-5										

MD-70RM/-70RZM/-100RM/-100R-5M



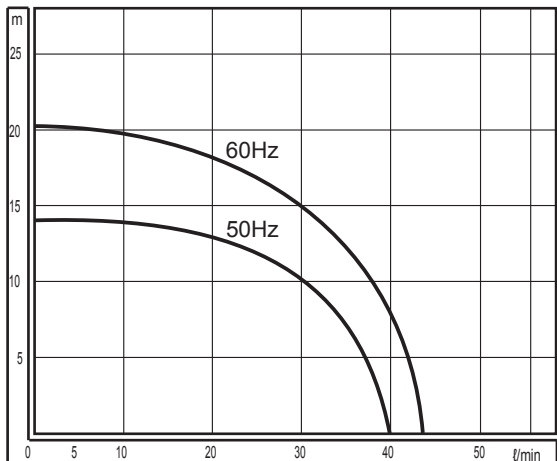
Model	W	H	L	a	b	c	d	e	f	G
MD-70RM	130	155	258	40	60	110	65	53	43	179
MD-70RZM		165	247					42	47.5	168
MD-100RM	156	175	322	70	100	110	75	65	43.5	197
MD-100R-5M										

6. Performance curves

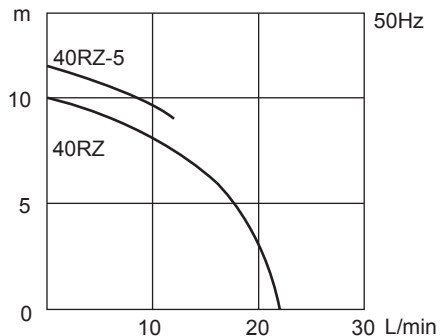


Outline

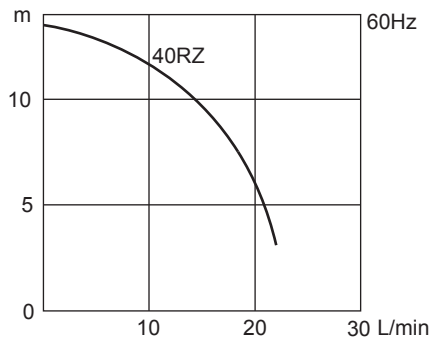
MD-70RZ



MD-40RZ



*A sound level of running water will increase when a delivery head drops to 6m or below.



*A sound level of running water will increase when a delivery head drops to 7.5m or below.

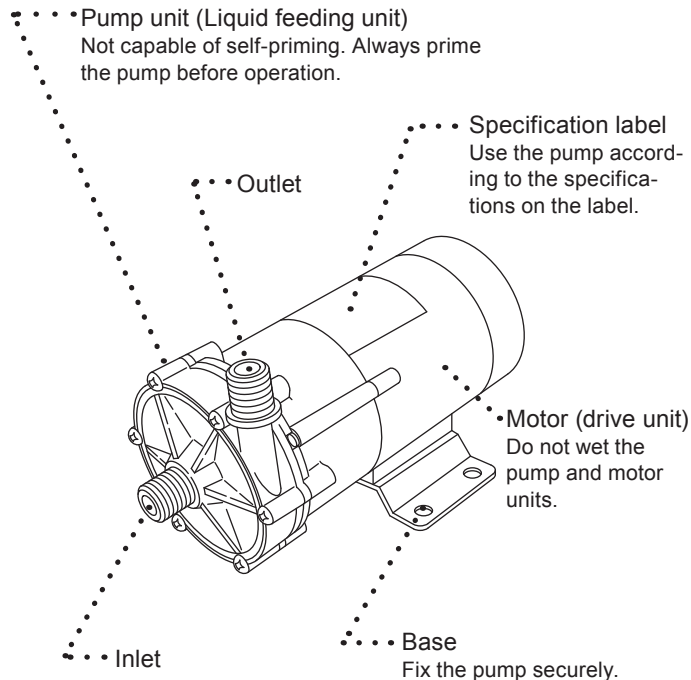
Outline

■ Accessory

Tube joints are available for pumps with thread connection.

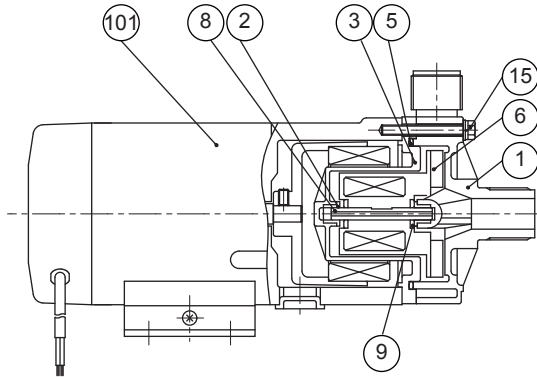
Model	Inlet/Outlet bore	O ring	Hose joint bore
MD-15RM	G3/4	AS-568-016	13A
MD-20RM	G3/4	AS-568-017	16A
MD-20RXM	G1	AS-568-020	20A
MD-20RZM	G3/4	AS-568-016	13A
MD-30RM	G3/4	AS-568-017	16A
MD-30RXM	G1	AS-568-020	20A
MD-30RZM	G3/4	AS-568-016	13A
MD-40RM	G3/4	AS-568-017	16A
MD-40RXM	G1	AS-568-020	20A
MD-40RZM	G3/4	AS-568-017	16A
MD-40RZ-5M	G3/4	AS-568-017	16A
MD-55RM	G1	AS-568-020	20A
MD-55R-5M	G1	AS-568-020	20A
MD-70RM	G1	AS-568-020	20A
MD-70RZM	G3/4	AS-568-017	16A
MD-100RM	G1	AS-568-020	20A
MD-100R-5M	G1	AS-568-020	20A

7. Overview & Label



Outline

8. Part names & Structure



NOTE1. MD-40RZ, -70RZ, -100R and -100R-5 have a CFRPP impeller.

NOTE2. EPDM O ring is available.

NOTE3. MD-20RZ, -30RZ, -40RZ and -70RZ have a PPS bearing.

No.	Part names	Q'ty	Materials	Remarks
1	Front casing	1	GFRPP	
2	Bearing	2	PTFE	
3	Rear casing	1	GFRPP	
5	O ring	1	FKM	
6	Impeller	1	GFRPP	
8	Spindle	1	Alumina ceramic	
9	Thrust ring	2	Alumina ceramic	
15	Machine screw	4-6	Stainless steel	
101	Motor	1		

Installation

1. Before Installation

Read through this instruction manual before use. Carry out installation work with a full understanding.



WARNING

- Risk of electrical shock. Dismantling/assembling the pump unit without turning off the power may cause an electrical shock. Before engaging in any maintenance or inspection work, be sure to turn off the pump and related devices.
- Electrical work or wiring must be carried out by a qualified person according to local laws or regulations.



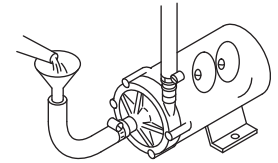
CAUTION

- Do not drop the pump or subject it to strong impact during installation or transport.
- A strong magnet is inside the pump. Do not bring a watch or floppy disk which may be adversely affected by a magnetic force.

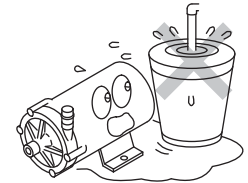
- Dropping or subjecting the pump to strong impact, failure may result. Handle the pump with care.



- The pump is not capable of self-priming. Always prime the pump before operation.



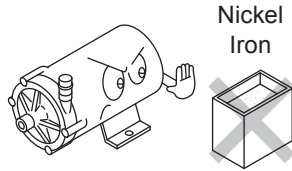
- The motor is not water-/dust-proof. Do not wet the motor, or it may fail.



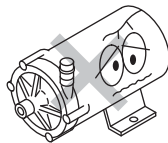
- The pump doesn't have an ON-OFF switch. The pump starts as the power cable is plugged in.

Installation

- Banned solutions
 - Halogenated hydrocarbons such as trichloroethylene and carbon tetrachloride
 - Ether and low-grade ester
 - Slurry (Never use slurry, which wears out the pump bearings.)
- A strong magnet is inside the pump. Do not use the pump with any liquid which contains metals such as iron and nickel.



- Do not pull or knot the power cable or place a heavy stuff on it. Damage to the power cable could lead to a fire or electrical shock.
- Do not use any damaged pump. Using a damaged pump may lead to an electric leak or shock.



⚠ CAUTION

Do not install or store the pump in the following places where...

1. Ambient temperature exceeds 40°C or falls below 0°C.
2. In a dusty/humid place.
3. Under direct sunlight or wind & rain.



- Install the pump as close to a supply tank. Keep a liquid level in the tank higher than the pump at any time.
- An electrical failure of the pump may adversely affect related devices. Purchase and install an earth leakage breaker separately.

Installation

- Noise level during operation is as below.

Model	Noise level
MD-15R	40dB
MD-20R	45dB
MD-20RX	50dB
MD-20RZ	
MD-30R	55dB
MD-30RX	60dB
MD-30RZ	
MD-40R	
MD-40RX	
MD-40RZ	
MD-55R	55dB
MD-70R	70dB
MD-70RZ	
MD-100R	75dB

*Noise level is measured in A scale at a distance of 1m.

Installation

2. Installation/ Piping/ Electrical wiring

Stop working upon sensing danger or abnormality in work.

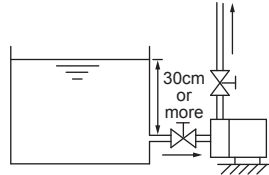
2.1 Installation

1. Installation location

Select a convenient place for maintenance and inspection.
Observe the allowable room temperature range of 0-40°C and the allowable maximum ambient humidity of 90%RH.

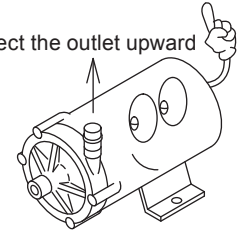
2. Mounting position

This pump is not capable of self-priming. Flooded suction application is ideal. The pump should be installed 30cm lower than the suction liquid level, or the bearing may be worn soon by entrained air.

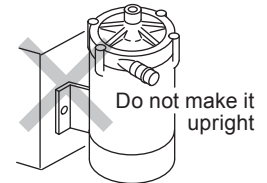


3. Outlet direction

Always direct the outlet upward or Direct the outlet upward entrained air can not be expelled.



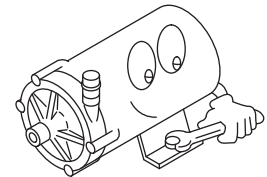
4. Do not mount the pump vertically.



5. Pump fixation

Secure the pump by fixing the base on a flat and a stable foundation.

NOTE: Use corrosive resistant fixing screws.



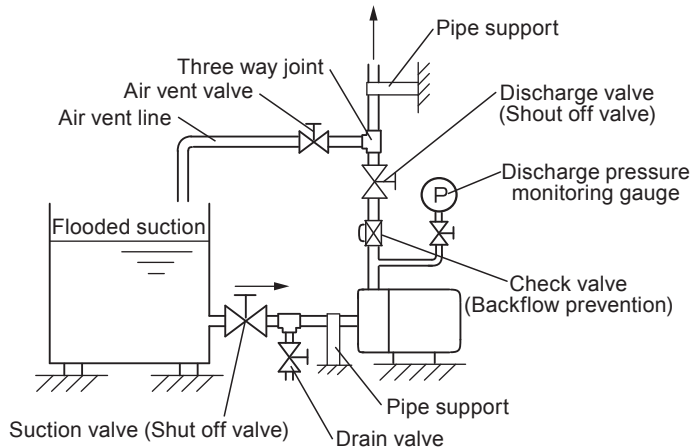
Installation

2.2 Piping

■ Before tubing

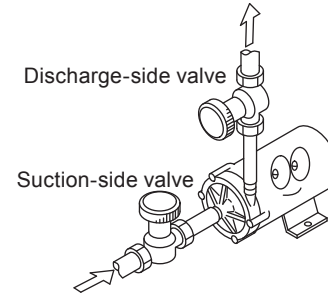
- Using a high flow pump and small supply tank, a liquid level in the tank changes greatly.
- Do not allow a drop of adhesive agent or sealant into pipe-work. They may cause fatal damage to the pump.
- If pipework directly weighs on the pump, deformation or damage may result. Be sure to install pipe supports.

Plumbing layout



1. Flow/head adjustment & maintenance valves

Install a ball valve on a discharge line for flow rate adjustment and on a suction line for the convenience of maintenance, as close to the pump as possible.



2. Pressure gauge

Install a pressure gauge for monitoring discharge line pressure.

3. Drain valve

Install a drain valve in between the pump inlet and the suction valve for blowing down liquid.

4. Air vent line and air vent valve

Install an air vent line and an air vent valve when a discharge line is laid long horizontally.

5. Check valve

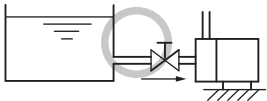
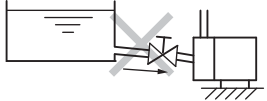
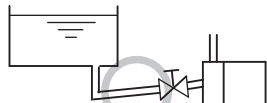


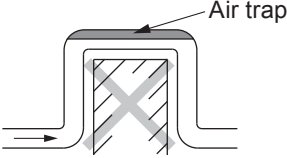
Install an check valve when a discharge line is laid long vertically.

Installation

■ Suction line

- Avoid any loops in a plumbing run that could form a vapour trap. A suction line should be laid on a rising gradient of 1/100 toward the pump so as to expel air easily.

Suction line examples

Acceptable	Unacceptable
 <p>Flooded suction</p>	 <p>Descending gradient</p>
 <p>Ascending gradient</p>	 <p>Suction lift</p>
 <p>U-shaped piping</p>	 <p>Air trap Arched piping</p>

- In order to minimize the plumbing resistance, have plumbing shortest with the minimum bends. Note cavitation*1 tends to occur when plumbing length is too long.
- Liquid level should be at least 30cm higher than the tank outlet for the prevention of air ingress.
- Keep liquid in the supply tank free from foreign matters. Clean the supply tank at intervals.
- Be sure to secure connections on a suction line for the prevention of entrained air. The presence of air in the suction line may prevent liquid delivery.

■ Discharge line

- Piping resistance changes with properties of liquid, specific gravity, liquid temperature and pipe length, and may adversely affect pump operation when the resistance is too great. In order to minimize the piping resistance, have piping length shortest with the minimum bends. Contact us for detail.
- When a discharge line is too long, water hammer*2 phenomenon may occur and damage the pump with impact pressure when the pump stops running. Provide a check valve to prevent water hammer.

Word & Terms:

- *1 Air bubbles caused by a negative pressure in the pump, accompanied with vibration and noise: Performance deterioration or parts corrosion results.
- *2 Shutting off a discharge line at once, liquid pressure change causes an impact pressure, accompanying impact noise and vibration. This phenomenon is called water hammer. Water hammer damages the pump & pipework and may cause leakage.

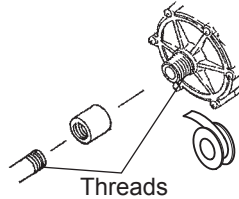
Installation

<Thread connection>

Wrap a thread seal tape around the exposed threads of pipes, pump inlet and outlet before they are tightened to create an air- and water-tight seal. Use of a Teflon pipe or Teflon-lined pipe is recommended.

⚠ CAUTION

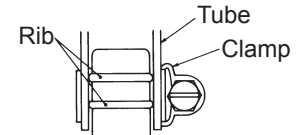
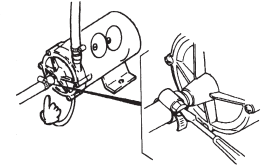
Do not tighten a pipe too much, or plastic inlet or outlet may break.



- Use a clamp to secure a tube connection and eliminate the possibility of leakage.

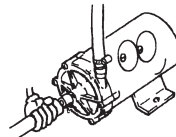
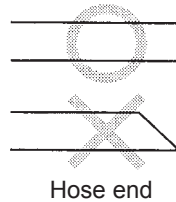
⚠ CAUTION

The inlet and outlet are made of plastics. Do not tighten the clamp too much.



<Tube connection>

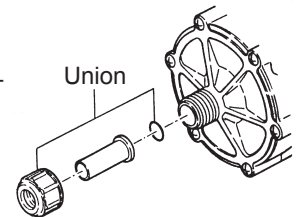
- Use temperature-/pressure-resistant braided tubes.
- Flat tube ends and then slide them down to an inlet and an outlet as far as they will go.



<Union connection>

Optional unions are available to pumps with thread connections as a tube coupling device. Purchase separately.

- Use applicable tubes to liquid characteristics.
- Use temperature-/pressure-resistant braided tubes.
- Secure a tube on a union with an applicable screw/band hose clamp.



Installation

2.3 Electrical wiring

Electrical wiring must be done by a qualified person who has a full knowledge of safety. We are not responsible for the injury or damage accident due to nonobservance of this warning. Contact us or your nearest distributor for wiring as necessary.

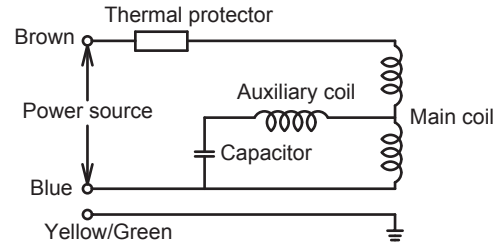
■ Before wiring

1. Confirm that the power is disconnected before work.
2. Wiring work should be done in accordance with electric work requirements. Use the recommended wiring accessories and follow electrical installation requirements.
3. Apply the specified power voltage. See the spec label.
4. The pump doesn't have an ON-OFF switch. The pump starts as the power cable is plugged in.
5. Earth the pump by an earthing wire.
6. When a leakage breaker is used.
Always solve a root cause before resuming operation once a leakage breaker has operated. Be sure to unplug the pump before investigation.

■ Connection diagram

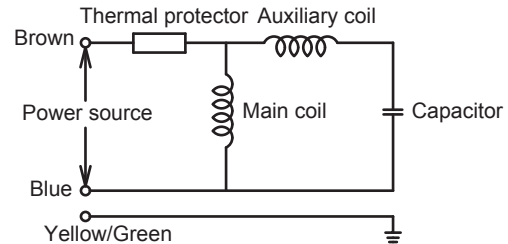
MD-15R/-20R/-20RX/-20RZ/-30R/-30RX/-30RZ types

Single-phase capacitor-run induction motor



MD-40R/-40RX/-40RZ/-40RZ-5/-55R/-55R-5/-70R/-70RZ/-100R/-100R-5

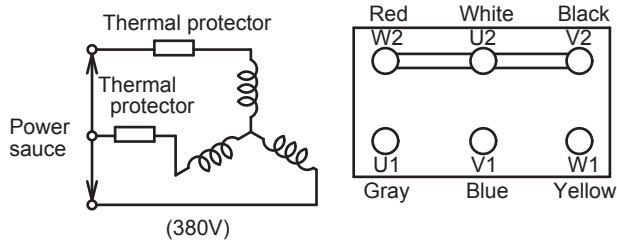
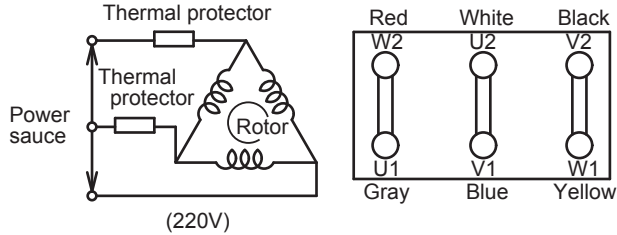
Single-phase capacitor-run induction motor



Installation

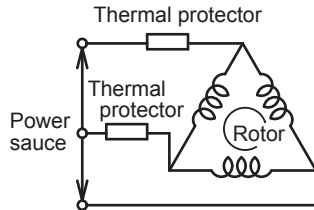
MD-70R/-100R/-70RZ/-100R-5 type

3-phase motor, 220/380V



MD-70R/-100R/-70RZ/-100R-5 type

3-phase motor, 400/440V



■ Rated current & Starting current (50/60Hz)

Model	Rated current			Starting current		
	220/240V Single phase	220/380V 3 phases	400/440V 3 phases	220/240V Single phase	220/380V 3 phases	400/440V 3 phases
MD-15R	0.19 / 0.18	-	-	0.3 / 0.29	-	-
MD-20R	0.24 / 0.28	-	-	0.4 / 0.4	-	-
MD-20RX	0.24 / 0.29	-	-	0.4 / 0.4	-	-
MD-20RZ	0.24 / 0.29	-	-	0.4 / 0.4	-	-
MD-30R	0.4 / 0.5	-	-	1.2 / 1.25	-	-
MD-30RX	0.4 / 0.5	-	-	1.2 / 1.25	-	-
MD-30RZ	0.42 / 0.5	-	-	1.2 / 1.25	-	-
MD-40R	0.52 / 0.7	-	-	1.1 / 1.0	-	-
MD-40RX	0.46 / 0.58	-	-	1.1 / 1.0	-	-
MD-40RZ	0.65 / 0.85	-	-	1.25 / 1.35	-	-
MD-40RZ-5	0.65 / -	-	-	1.25 / -	-	-
MD-55R	0.8 / 0.9	-	-	2.3 / 2.1	-	-
MD-55R-5	1.0 / -	-	-	2.3 / -	-	-
MD-70R	1.21 - 1.21 / 1.64 - 1.50	1.15 - 0.64 / 1.3 - 0.69	0.39 - 0.4 / 0.46 - 0.45	3.15 - 3.55 / 2.9 - 3.2	3.9 - 2.25 / 3.8 - 2.2	1.24 - 2.27 / 1.22 - 1.25
MD-70RZ	1.4 / 1.9	1.2 - 0.7 / 1.3 - 0.8	0.6 - 0.7	3.15 - 3.42 / 2.95 - 3.15	4.15 - 2.45 / 4.0 - 2.4	2.15 - 2.3 / 2.05 - 2.27
MD-100R	1.93 - 1.93 / 1.85 - 1.83	1.18 - 0.69 / 1.17 - 0.87	0.62 - 0.6 / 0.6 - 0.58	3.8 - 4.3 / 3.6 - 4.0	3.8 - 2.2 / 3.7 - 2.1	1.9 - 2.2 / 1.85 - 2.1
MD-100R-5	1.93 - 1.93 / -	1.18 - 0.69 / -	0.62 - 0.6 / -	3.8 - 4.3 / -	3.8 - 2.2 / -	1.9-2.2 / -

Operation

1. Before operation



CAUTION

- Before operation, check that the pump is firmly installed in piping via the inlet and outlet, and the pump is securely fixed.
- If foreign matters enter the pump, turn off the power and remove them, otherwise failure or malfunction may result.
- Do not run pump dry. If the pump runs without a liquid, the pump is damaged by friction heat.

1. Before operation, check that the pump is firmly installed in piping via the inlet and outlet.
2. Do not run the pump with a discharge or a suction valve closed.
3. Do not open or close sharply a discharge or a suction valve, otherwise the magnetic coupling may disconnect (In this case turn off the power.).

■ Operation

After installation, piping and wiring work are completed, operate the pump in accordance with the following procedures. The pump doesn't have an ON-OFF switch. The pump starts as the power cable is plugged in.

No.	Procedure	Points to be checked
1	Check piping, wiring and voltage.	<ul style="list-style-type: none">• See "2.2 Piping" and "2.3 Electrical wiring" sections.• Check the spec label to see if the power supply voltage is correct.
2	Open or close a valve.	<ul style="list-style-type: none">• Fully open a suction-side valve.• Fully close a discharge-side valve.
*3	Prime the pump chamber.	<ul style="list-style-type: none">• Prime the pump with liquid in whether flooded suction application or suction lift application.
4	Supply power to the pump.	<ul style="list-style-type: none">• Check the item 1, 2 and 3. Then turn on power and start the pump.

*If the pump chamber is not filled with liquid due to residual air in it, run the pump for degassing and eliminate air completely.

Operation

No.	Procedure	Points to be checked
5	Adjust discharge capacity & discharge head to specified level.	<ul style="list-style-type: none"> Open a discharge-side valve gradually till the flow and head reach a specified level. <u>Do not open or close the valve at once.</u> <p>Note: Do not keep the discharge-side valve closed more than 1 minute.</p> <p>Note: Check that the pump transfers a liquid without trouble. If there is a problem, turn off the power immediately and solve causes. See "Troubleshooting" section.</p>
6	Points to be checked during operation	<ul style="list-style-type: none"> Do not allow foreign matters to enter the pump. Foreign matters may cause impeller to be locked, hindering liquid circulation. In this case turn off power immediately (Contact us). Turn off power when the leakage breaker operates. Investigate a root cause on the basis of the Trouble shooting section.

■ Degassing

Run the pump for one second with an opened discharge line. Repeat this one-second operation from three to five times.

■ Shutdown

No.	Procedure	Description
1	Close a discharge-side valve.	Close the discharge-side valve gradually. Do not use a solenoid valve.
2	Turn off power.	Check if the motor stops rotating smoothly as turning off power. If it is not smooth, check the motor. Contact us for detail.

■ Before a long period of storage

Remove the liquid from the pump before it is stored for a long time. In addition, run the pump with clean water for 5 minutes every 3 months to prevent the motor bearing from being stuck.

Maintenance

1. Trouble shooting

Upon sensing abnormality, stop operation immediately and remove problems according to this section.

If the following measures do not help removing problems, contact us or your nearest distributor.

Phenomenon	The pump does not run.	Poor discharge head	Overcurrent	Noise and vibration problem	Leakage	Measure
Causes						
Wrong wiring	<input type="radio"/>		<input type="radio"/>			Inspect wiring. Rewire as necessary.
Motor failure	<input type="radio"/>		<input type="radio"/>			Contact us.
Air is trapped.		<input type="radio"/>		<input type="radio"/>		Eliminate air.
Air suction from the inlet		<input type="radio"/>				Check suction piping.
Dry running		<input type="radio"/>	<input type="radio"/>	<input type="radio"/>		Prime the pump before operation.
Too high SG or viscosity	<input type="radio"/>	<input type="radio"/>	<input type="radio"/>			Replace with suitable pump.
Impeller magnet hits the rear casing		<input type="radio"/>	<input type="radio"/>	<input type="radio"/>		Contact us.
Impeller is damaged.	<input type="radio"/>	<input type="radio"/>	<input type="radio"/>	<input type="radio"/>		Contact us.
Foreign matters on the impeller.		<input type="radio"/>	<input type="radio"/>	<input type="radio"/>		Contact us.
O ring is damaged					<input type="radio"/>	Contact us
Pump head mounting screws are loose.		<input type="radio"/>			<input type="radio"/>	Tighten the mounting screws.

2. Maintenance & Inspection

Handling of the pump, maintenance and inspection should be carried out within this instruction manual.

Do not handle the pump beyond the descriptions in this manual.

We are not responsible for any personal injury or property damage due to nonobservance of this warning. Contact us or your nearest distributor as necessary.

■ Retightening

After a long period of operation or storage, the pump head mounting screws may be loose. Tighten the mounting screws as necessary, but then do not deform the plastic pump head.

Tightening torque

MD-15R/-20R/-30RZ	1.8N•m
MD-30R/-40R/-55R/-70R	3.0N•m
MD-100R	3.5N•m

■ Daily inspection

Always check for abnormality in vibration, noise, current value, and discharge capacity. Stop operation on sensing any abnormality. And solve problems on the trouble shooting section.

■ Wear parts

To run the pump for a long period, wear parts such as an impeller and an O ring need to be replaced periodically. Contact your distributor for detail.

Maintenance

■ Drainage

No drain port is provided to this pump. See drainage procedure below.

WARNING

- Turn off power before work.
- Always wear protective clothing such as safety goggles and protective gloves during pipework or dismantlement.


CAUTION

- A liquid flows out when detaching a tube or pipe from the pump. Be careful not to wet electrical parts including the motor.
- Do not drain a harmful chemical liquid directly on the ground or the floor. Always use a container.
- Do not wet the motor that is not dust- nor water-proof with chemical liquid. Do not power on the motor once the pump has got wet.

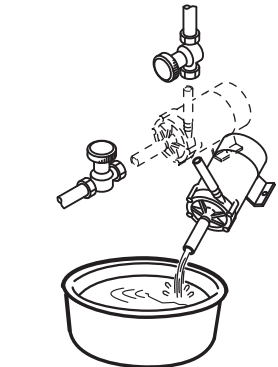
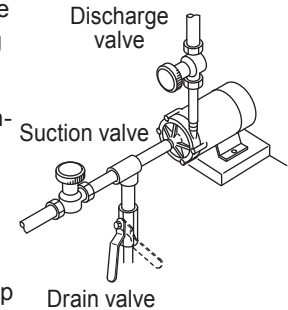
*Dilute and flush out harmful liquid before drainage.

■ Procedure

1. Turn off power. Make sure no one turns on the power while working on the pump.
2. Close the discharge- and suction-side valves fully. Open a drain valve to empty the pump. Note liquid can not be removed completely through the drain valve.
3. Place a container under the pump and loosen the hose clamp. Pull out hoses from the inlet and outlet. Be careful not to get wet with chemicals.

 **CAUTION**
Do not get wet with chemical when removing tubes.

4. Unfix and take out the pump.
5. Direct the outlet downwards to run off liquid in a container.





IWAKI CO.,LTD. 6-6 Kanda-Sudacho 2-chome Chiyoda-ku Tokyo 101-8558 Japan
 TEL:(81)3 3254 2935 FAX:3 3252 8892(<http://www.iwakupumps.jp>)

()Country codes

Australia	IWAKI Pumps Australia Pty. Ltd.	TEL : (61)2 9899 2411	FAX : 2 9899 2421	Italy	IWAKI Italia S.R.L.	TEL : (39)02 990 3931	FAX : 02 990 42888
Austria	IWAKI (Austria) GmbH	TEL : (43)2236 33469	FAX : 2236 33469	Korea	IWAKI Korea Co.,Ltd.	TEL : (82)2 2630 4800	FAX : 2 2630 4801
Belgium	IWAKI Belgium n.v.	TEL : (32)1367 0200	FAX : 1367 2030	Malaysia	IWAKIm Sdn. Bhd.	TEL : (60)3 7803 8807	FAX : 3 7803 4800
China	IWAKI Pumps (Shanghai) Co., Ltd.	TEL : (86)21 6272 7502	FAX : 21 6272 6929	Norway	IWAKI Norge AS	TEL : (47)66 81 1660	FAX : 66 81 1661
China	IWAKI Pumps (Guandong) Co., Ltd.	TEL : (86)750 3866228	FAX : 750 3866278	Singapore	IWAKI Singapore Pte. Ltd.	TEL : (65)6316 2028	FAX : 6316 3221
China	GFTZ IWAKI Engineering & Trading (Guangzhou)	TEL : (86)20 8435 0603	FAX : 20 8435 9181	Spain	IWAKI Iberica Pumps, S.A.	TEL : (34)943 630030	FAX : 943 628799
China	GFTZ IWAKI Engineering & Trading (Beijing)	TEL : (86)10 6442 7713	FAX : 10 6442 7712	Sweden	IWAKI Sverige AB	TEL : (46)8 511 72900	FAX : 8 511 72922
Denmark	IWAKI Nordic A/S	TEL : (45)48 24 2345	FAX : 48 24 2346	Switzerland	IWAKI (Schweiz) AG	TEL : (41)26 674 9300	FAX : 26 674 9302
Finland	IWAKI Suomi Oy	TEL : (358)9 2745810	FAX : 9 2742715	Taiwan	IWAKI Pumps Taiwan Co., Ltd.	TEL : (886)2 8227 6900	FAX : 2 8227 6818
France	IWAKI France S.A.	TEL : (33)1 69 63 33 70	FAX : 1 64 49 92 73	Taiwan	IWAKI Pumps Taiwan Co.,Ltd.(Hsin-chu)	TEL : (886)3 573 5797	FAX : (886)3 573 5798
Germany	IWAKI EUROPE GmbH	TEL : (49)2154 9254 0	FAX : 2154 9254 48	Thailand	IWAKI (Thailand) Co.,Ltd.	TEL : (66)2 322 2471	FAX : 2 322 2477
Holland	IWAKI EUROPE NL Branch	TEL : (31)547 293 160	FAX : 547 292 332	U.K.	IWAKI Pumps (UK) LTD.	TEL : (44)1743 231363	FAX : 1743 366607
Hong Kong	IWAKI Pumps Co., Ltd.	TEL : (852)2 607 1168	FAX : 2 607 1000	U.S.A.	IWAKI AMERICA Inc.	TEL : (1)508 429 1440	FAX : 508 429 1386
Indonesia	IWAKI Singapore (Indonesia Branch)	TEL : (62)21 690 6606	FAX : 21 690 6612	Vietnam	IWAKI Pumps Vietnam Co.,Ltd.	TEL : (84)613 933456	FAX : 613 933399