

IWAKI
ELECTROMAGNETIC
METERING PUMPS

HRP



High resolution & ultra compact

DC power voltage / vertically- or horizontally-oriented pump head

The HRP series is powered by 12VDC or 24VDC and offers an ideal fit for built-in applications. Select vertically- or horizontally-oriented pump head to get optimum mounting position in various host machines.



High resolution

Digitally-controlled spm range is 0-720spm. The minimum flow of 0.055ml per shot offers a constant imperceptible injection.



Waterproof and dustproof structure

The sealed drive unit and control unit are enclosed to a water/dust-proof rating of IP65.

- This pump is not completely water resistant. Protect the pump with a cover when installing it out of doors.



Wet end materials

	Materials
1 Pump head	PVDF
2 Valve seat	FKM
3 Valve	Alumina ceramic
4 Gasket	PTFE
5 O ring	FKM
6 Diaphragm	PTFE+EPDM
7 Valve spring ^{Note}	PEEK

Note: Valve spring is HRP-54H only.

• EPDM is not a wet end.

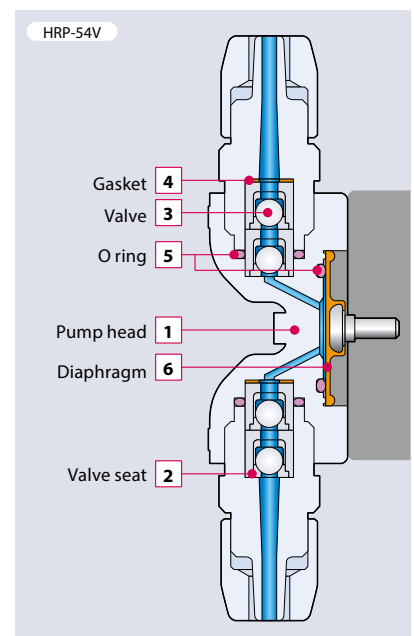
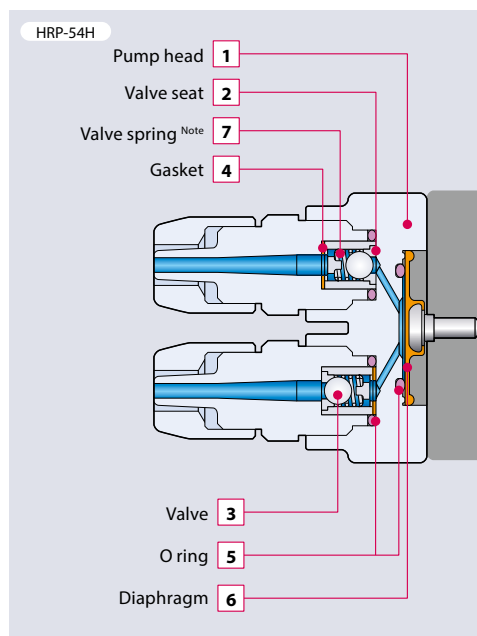
• Contact us for other valve seat, valve and O ring materials.

Material code

PVDF: Polyvinylidene difluoride

FKM: Fluorine-contained rubber

PTFE: Polytetrafluoroethylene





HRP-54H

HRP-54V

Operational function

HRP pumps are controlled by an external signal and are available in the following types.

Pulse control type

A pulse signal input controls pump operation (stroke rate). The pump makes one shot per pulse synchronously.

- An input signal is required to enable operation in addition to power activation for this type.
- The pump can not exceed a maximum of 720spm, even if the external signal input instructs the pump to run beyond that speed.

4-20mA control type

The input of 4-20mA proportionally controls the pump operation (stroke rate).

- An input signal is required to enable operation in addition to power activation for this type.

1-5V control type

The input of 1-5V proportionally controls the pump operation (stroke rate).

- An input signal is required to enable operation in addition to power activation for this type.

Stop control type

The input of the stop signal suspends the pump operation.

- The type of pump starts to run at 720spm upon power activation.

Specifications

Pump & Drive units

Model	flow rate mL/min	Max. discharge pressure MPa	Stroke rate spm	Tube connection bore	Power voltage V	Power consumption W	Current value A	Weight kg
HRP-54V/H-1	38	0.2	0 - 720	3mm×6mm, 4mm×6mm, 1/8"×1/4"	12DC	5.6	1.5	0.5
HRP-54V/H-2					24DC		1.0	

• This specification is based on pumping ambient clean water at rated voltage.

• Flow rate is collected at the maximum discharge pressure and 720spm. The flow rate increases as a discharge pressure decreases.

• 0.12MPa or more discharge pressure is needed to prevent over feeding. If the discharge pressure is at or below the required MPa, install a check valve or back pressure valve.

• Allowable room temperature: 0 - 40 °C • Allowable liquid temperature: 0 - 40 °C • Allowable voltage deviation: ±5% of the rated voltage **12VDC: 11.4V - 12.6V, 24VDC: 22.8V - 25.2V**

Control unit

Pulse control type	Upper limit spm	720spm	1 - 5V control type	Upper limit spm	720spm
	Operation	One shot per signal (Synchronous operation) ^{Note2}		Operation	1-5VDC proportional operation to 0-720spm
	Input signal	No-voltage contact or open collector ^{Note1}		Input signal	Voltage: 1-5VDC (Current capacity of 25mA or more)
4 - 20mA control type	Upper limit spm	720spm	Stop control type	Upper limit spm	720spm (Fixed)
	Operation	4-20mADC proportional operation to 0-720spm		Operation	The pump stops during contact input.
	Input signal	Current: 4-20mADC		Input signal	No-voltage contact or open collector ^{Note1}

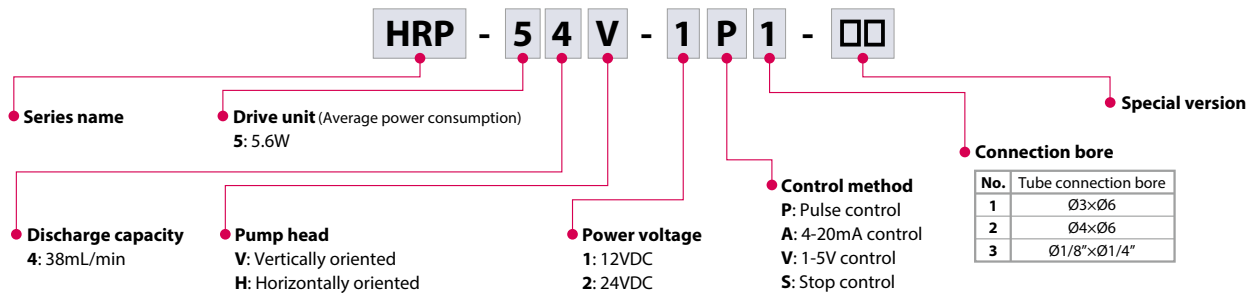
Note1: The maximum applied voltage to the contact is 12V at 5mA. When using a contact type relay, the minimum application load should be 5mA or below.

Note2: The external pulse signal is entered to run the pump over the upper limit spm, the signal is cancelled.

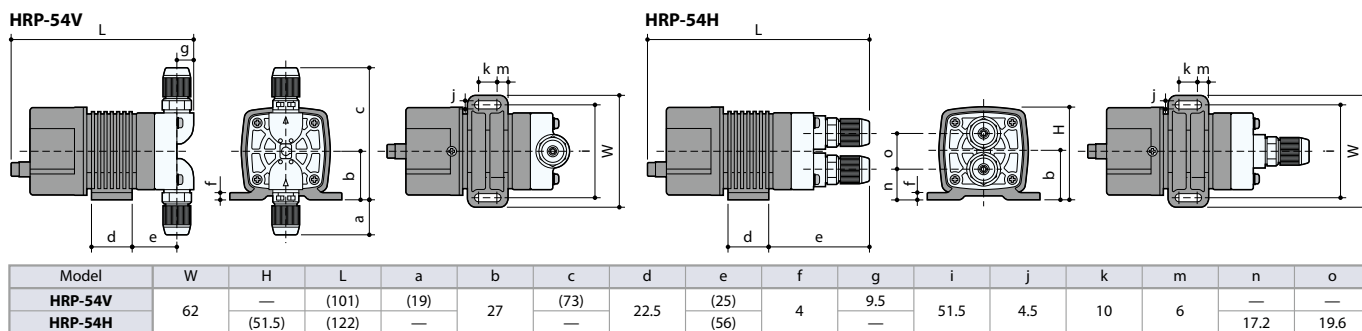
Power cable

Conduction section area	0.32 mm ² (Triplex cable)	Standard	UL3265
Length	600 mm	Terminal treatment	Bared

Identification



Dimensions in mm



Accessories

IWAKI check valve with an air vent

AVC

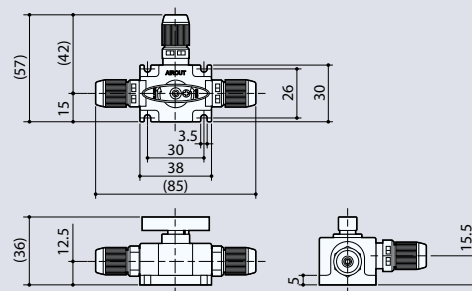
Specifications

Set pressure	0.1±0.03 MPa ^{Note1}
Function change between checking and bleeding	Checking or bleeding can be selected by rotating the air vent valve(knob) 270 degrees. The rotation limit is determined by stoppers. ^{Note2}
Checking	Rotate the air vent valve clockwise as far as it will go.
Bleeding	Rotate the air vent valve counter clockwise as far as it will go. (Limited by a stopper)
Applicable pump	HRP

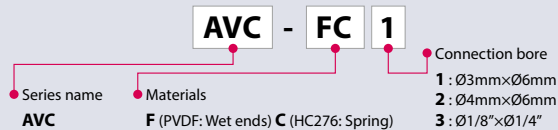
Note1: The set pressure is based on operation at 720spm with the applicable pump and clean water.
 Note2: A stopper screw is provided to determine the rotation limit of the valve.
 Do not apply much stress to the stopper screw, otherwise it may break.



Dimension in mm



Identification



Wet end materials

Part names	Body	Fitting	Air vent valve	Poppet valve	O ring	Spring
Material	PVDF	PVDF	PVDF	PVDF	FKM	HC276

IWAKI CO., LTD. 6-6 Kanda-Sudacho 2-chome Chiyoda-ku Tokyo 101-8558 Japan TEL: (81)3 3254 2935 FAX: 3 3252 8892

IWAKI has global net work. Please find your distributor location at www.iwakipumps.jp

European office : IWAKI Europe GmbH
 Germany : IWAKI Europe GmbH
 Holland : IWAKI Europe GmbH (Netherlands Branch)
 Italy : IWAKI Europe GmbH (Italy Branch)
 Spain : IWAKI Europe GmbH (Spain Branch)
 Belgium : IWAKI Belgium N.V.
 Denmark : IWAKI Nordic A/S
 Finland : IWAKI Suomi Oy
 France : IWAKI France S.A.
 Norway : IWAKI Norge AS
 Sweden : IWAKI Sverige AB
 U.K. : IWAKI Pumps (UK) Ltd.

TEL: (49)2154 9254 0 FAX: 2154 9254 48
 TEL: (49)2154 9254 50 FAX: 2154 9254 55
 TEL: (31)74 2420011 FAX: (49)2154 925448
 TEL: (39)0444 371115 FAX: 0444 335350
 TEL: (34)93 37 70 198 FAX: 93 47 40 991
 TEL: (32)13 67 02 00 FAX: 13 67 20 30
 TEL: (45)48 24 2345 FAX: 48 24 2346
 TEL: (358)9 2745810 FAX: 9 2742715
 TEL: (33)1 69 63 33 70 FAX: 1 64 49 92 73
 TEL: (47)23 38 49 00 FAX: 23 38 49 01
 TEL: (46)8 511 72900 FAX: 8 511 72922
 TEL: (44)1743 231363 FAX: 1743 366507

U.S.A. : IWAKI America Inc.
 Argentina : IWAKI America Inc. (Argentina Branch)
 Brasil : IWAKI Do Brasil Comercio De Bombas Hidraulicas Ltda.
 Singapore : IWAKI Singapore Pte Ltd.
 Indonesia : IWAKI Singapore (Indonesia Office)
 Malaysia : IWAKIm Sdn. Bhd.
 Australia : IWAKI Pumps Australia Pty Ltd.
 Hong Kong : IWAKI Pumps Co., Ltd.
 China : GFTZ IWAKI Engineering & Trading Co., Ltd.
 : IWAKI Pumps (Shanghai) Co., Ltd.
 Korea : IWAKI Korea Co., Ltd.
 Taiwan : IWAKI Pumps Taiwan Co., Ltd.
 Thailand : IWAKI (Thailand) Co., Ltd.

TEL: (1)508 429 1440 FAX: 508 429 1386
 TEL: (54)11 4745 4116
 TEL: (55)19 3244 5900 FAX: 19 3244 5900
 TEL: (65)6316 2028 FAX: 6316 3221
 TEL: (62)21 6906606 FAX: 21 6906612
 TEL: (60)3 7803 8807 FAX: 3 7803 4800
 TEL: (61)2 9899 2411 FAX: 2 9899 2421
 TEL: (852)2607 1168 FAX: 2607 1000
 TEL: (86)20 84350603 FAX: 20 84359181
 TEL: (86)21 6272 7502 FAX: 21 6272 6929
 TEL: (82)2 2630 4800 FAX: 2 2630 4801
 TEL: (886)2 8227 6900 FAX: 2 8227 6818
 TEL: (66)2 322 2471 FAX: 2 322 2477

Caution for safety use: Before use of pump, read instruction manual carefully to use the product correctly.

Actual pumps may differ from the photos. Specifications and dimensions are subject to change without prior notice. For further details please contact us.

Legal attention related to export.

Our products and/or parts of products fall in the category of goods contained in control list of international regime for export control. Please be reminded that export license could be required when products are exported due to export control regulations of countries.

The posting and copying from this catalogue without permission is not accepted firmly.